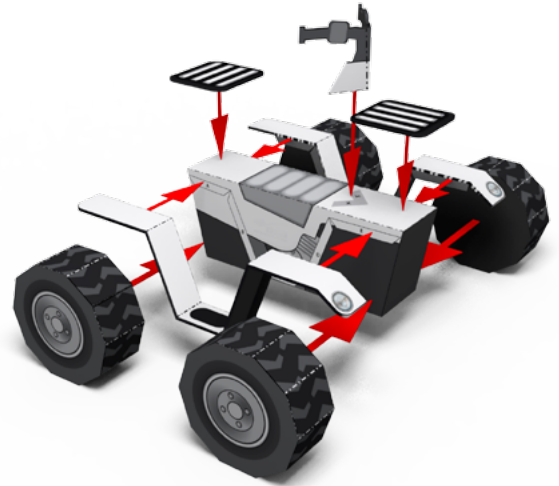


## Quad bike paper model

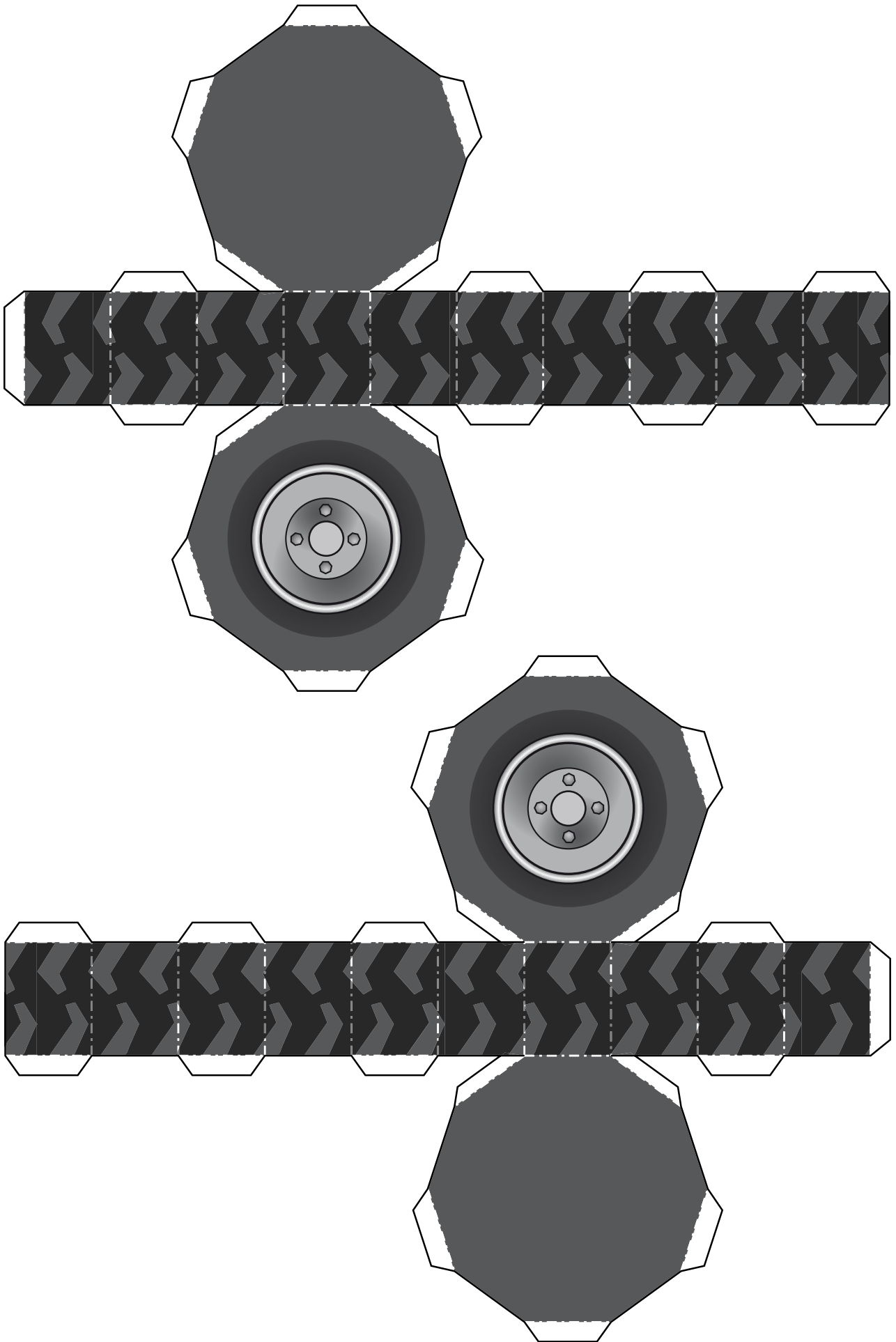
You will need:

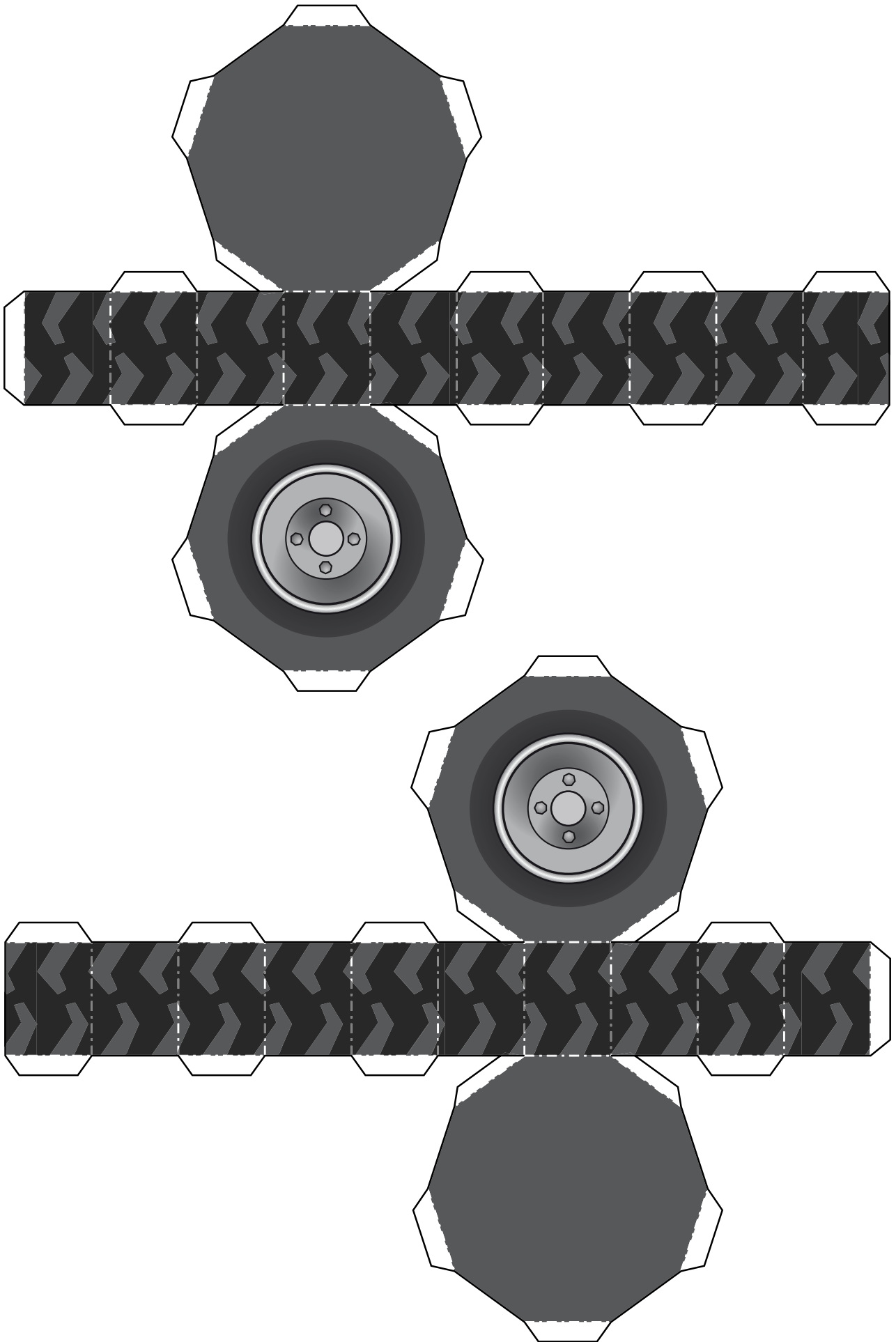
- Template, enlarged to A3.  
**Note:** The quad bike will be easier to make, and more stable, if the template is printed on thin card or stuck to cardboard (e.g. from a cereal box). This is particularly important for the 'body' piece.
- Scissors
- Glue stick and/or sticky tape
- Ruler

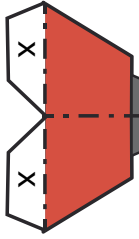
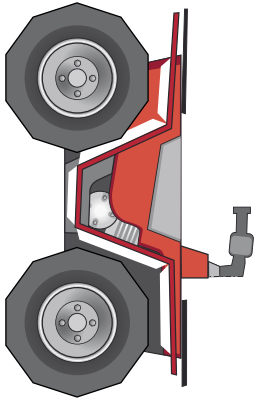


Instructions:

1. Slowly and carefully, cut around each of the shapes following the solid black lines (the dotted lines are for folding).
2. Starting with the wheels, use a ruler to fold along each dotted line.  
Check to see if your shape will fold neatly to create a tyre-shaped cylinder, then apply glue to the tabs. Carefully press each of the tabs to secure the cylinder in place. Put aside to dry. You can use sticky tape to secure the tabs if you wish.
3. Repeat step 2 with the other wheels.
4. Repeat step 2 with the body shape to create a rectangular prism (cuboid).
5. Fold the mud guard strips to match the tab markers on the sides of the body piece and fold the tabs down (see illustration).
6. Carefully glue the tabs to their matching marker then bend the headlight down a little (see illustration).
7. Fold the handlebar piece down the centre to 90 degrees, then fold the tabs back and glue them to the matching markers on the front of the body piece (see illustration).
8. Next, stick the front rack and the rear rack to the top of the body piece. They will 'stick out' from the body piece a little.
9. Finally, glue or tape two wheels to each side of the body.
10. Support your model by the body piece until the wheels dry in place.







Handlebars

Front rack



Back rack

